



9. Rohrschellen

Pipe Hangers

		Seite page
9.1	Rohrschellen ohne Schaft pipe hangers without shank	148
9.2	Rohrschellen mit Schweisschaft pipe hangers with welding shank	150
9.3	Rohrschellen mit Gewindenschaft pipe hangers with threaded shank	152



Legende

- A Innendurchmesser
- E Bandbreite / -stärke
- G Schraubengröße

Werkstoffe

1.4301

weitere Werkstoffe auf Anfrage

Oberflächenbeschaffenheit

elektropoliert

Key

- internal diameter
- strip width / -strength
- bolt size

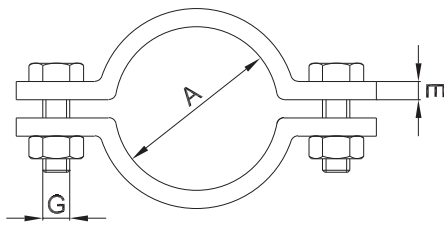
Materials

304

further materials on request

Surface condition

electropolished



weitere Abmessungen auf Anfrage | further dimensions on request

DIN	Abmessung dimension	A	E	G			1.4301 304			
DN010	12.0 x 1.0	12.0	20.0 x 3.0	M6			703527			
DN010	13.0 x 1.5	12.0	20.0 x 3.0	M6			703527			
DN015	19.0 x 1.5	18.0	20.0 x 3.0	M6			703526			
DN020	23.0 x 1.5	22.0	20.0 x 3.0	M6			704528			
DN025	29.0 x 1.5	28.0	20.0 x 3.0	M6			705512			
DN032	35.0 x 1.5	34.0	20.0 x 3.0	M6			705513			
DN040	41.0 x 1.5	40.0	20.0 x 3.0	M6			705514			
DN050	53.0 x 1.5	52.0	20.0 x 3.0	M6			702942			
DN065	70.0 x 2.0	70.0	20.0 x 3.0	M6			705515			
DN080	85.0 x 2.0	85.0	25.0 x 3.0	M6			705516			
DN100	104.0 x 2.0	104.0	25.0 x 3.0	M6			705517			
DN125	129.0 x 2.0	129.0	30.0 x 3.0	M8			705604			
DN150	154.0 x 2.0	154.0	30.0 x 3.0	M8			705605			

ISO	Abmessung dimension	A	E	G			1.4301 304			
DN008	13.5 x 1.6	13.5	20.0 x 3.0	M6			705518			
DN010	17.2 x 1.6	18.0	20.0 x 3.0	M6			705670			
DN015	21.3 x 1.6	21.3/22.0	20.0 x 3.0	M6			703009			
DN020	26.9 x 1.6	26.9	20.0 x 3.0	M6			703015			
DN025	33.7 x 2.0	33.7	20.0 x 3.0	M6			703008			
DN032	42.4 x 2.0	42.4	20.0 x 3.0	M6			705062			
DN040	48.3 x 2.0	48.3	20.0 x 3.0	M6			705063			
DN050	60.3 x 2.0	60.3	20.0 x 3.0	M6			705064			
DN065	76.1 x 2.0	76.2	25.0 x 3.0	M6			703014			
DN080	88.9 x 2.3	88.9	25.0 x 3.0	M6			705065			
DN100	114.3 x 2.3	114.3	25.0 x 3.0	M6			705066			
DN125	139.7 x 2.6	139.7	30.0 x 3.0	M8			702943			
DN150	168.3 x 2.6	168.3	40.0 x 4.0	M8			702941			

ASME BPE	Abmessung dimension	A	E	G			1.4301 304			
DN 1/2"	12.7 x 1.65	12.0	20.0 x 3.0	M6			705521			
DN 3/4"	19.05 x 1.65	18.0	20.0 x 3.0	M6			705522			
DN 1"	25.4 x 1.65	25.4	20.0 x 3.0	M6			705523			
DN 1 1/2"	38.1 x 1.65	38.1	20.0 x 3.0	M6			705524			
DN 2"	50.8 x 1.65	50.8	20.0 x 3.0	M6			705525			
DN 2 1/2"	63.5 x 1.65	63.5	20.0 x 3.0	M6			705526			
DN 3"	76.2 x 1.65	76.2	25.0 x 3.0	M6			705527			
DN 4"	101.6 x 2.11	101.6	25.0 x 3.0	M6			705528			



Legende

- A Innendurchmesser
- B Schaft-Durchmesser
- C Gesamtlänge
- E Bandbreite / -stärke
- G Schraubengröße

Werkstoffe

1.4301

weitere Werkstoffe auf Anfrage

Oberflächenbeschaffenheit

elektropoliert

Key

- internal diameter
- shank diameter
- total length
- strip width / -strength
- bolt size

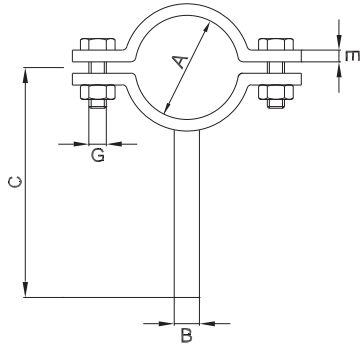
Materials

304

further materials on request

Surface condition

electropolished



weitere Abmessungen auf Anfrage | further dimensions on request

DIN	Abmessung dimension	A	B	C	E	G	1.4301 304			
DN010	12.0 x 1.0	12.0	8.0	64.0	20.0 x 3.0	M6	705550			
DN010	13.0 x 1.5	12.0	8.0	64.0	20.0 x 3.0	M6	705550			
DN015	19.0 x 1.5	18.0	8.0	67.0	20.0 x 3.0	M6	705551			
DN020	23.0 x 1.5	22.0	8.0	69.0	20.0 x 3.0	M6	705552			
DN025	29.0 x 1.5	28.0	10.0	72.0	20.0 x 3.0	M6	705553			
DN032	35.0 x 1.5	34.0	10.0	75.0	20.0 x 3.0	M6	705554			
DN040	41.0 x 1.5	40.0	10.0	78.0	20.0 x 3.0	M6	705555			
DN050	53.0 x 1.5	52.0	12.0	84.0	20.0 x 3.0	M6	705556			
DN065	70.0 x 2.0	70.0	12.0	93.0	20.0 x 3.0	M6	705557			
DN080	85.0 x 2.0	85.0	12.0	100.5	25.0 x 3.0	M6	705558			
DN100	104.0 x 2.0	104.0	12.0	110.0	25.0 x 3.0	M6	705559			
DN125	129.0 x 2.0	129.0	16.0	140.0	30.0 x 3.0	M8	705560			
DN150	154.0 x 2.0	154.0	16.0	180.0	30.0 x 3.0	M8	705561			

ISO	Abmessung dimension	A	B	C	E	G	1.4301 304			
DN008	13.5 x 1.6	12.0	8.0	64.0	20.0 x 3.0	M6	705562			
DN010	17.2 x 1.6	18.0	8.0	67.0	20.0 x 3.0	M6	705563			
DN015	21.3 x 1.6	21.3/22.0	8.0	69.0	20.0 x 3.0	M6	705564			
DN020	26.9 x 1.6	26.9	10.0	71.0	20.0 x 3.0	M6	705565			
DN025	33.7 x 2.0	33.7	10.0	75.0	20.0 x 3.0	M6	705566			
DN032	42.4 x 2.0	42.4	10.0	79.0	20.0 x 3.0	M6	705567			
DN040	48.3 x 2.0	48.3	10.0	82.0	20.0 x 3.0	M6	705568			
DN050	60.3 x 2.0	60.3	12.0	88.0	20.0 x 3.0	M6	705569			
DN065	76.1 x 2.0	76.2	12.0	96.0	25.0 x 3.0	M6	705570			
DN080	88.9 x 2.3	88.9	12.0	103.0	25.0 x 3.0	M6	705571			
DN100	114.3 x 2.3	114.3	12.0	115.0	25.0 x 3.0	M6	705572			
DN125	139.7 x 2.6	139.7	16.0	146.0	30.0 x 3.0	M8	705573			
DN150	168.3 x 2.6	168.3	16.0	188.0	40.0 x 4.0	M8	712020			

ASME BPE	Abmessung dimension	A	B	C	E	G	1.4301 304			
DN 1/2"	12.7 x 1.65	12.0	8.0	64.0	20.0 x 3.0	M6	705574			
DN 3/4"	19.05 x 1.65	18.0	8.0	67.0	20.0 x 3.0	M6	705575			
DN 1"	25.4 x 1.65	25.4	10.0	71.0	20.0 x 3.0	M6	705576			
DN 1 1/2"	38.1 x 1.65	38.1	10.0	77.0	20.0 x 3.0	M6	705577			
DN 2"	50.8 x 1.65	50.8	12.0	84.0	20.0 x 3.0	M6	705578			
DN 2 1/2"	63.5 x 1.65	63.5	12.0	90.0	20.0 x 3.0	M6	705579			
DN 3"	76.2 x 1.65	76.2	12.0	96.0	25.0 x 3.0	M6	705580			
DN 4"	101.6 x 2.11	101.6	12.0	109.0	25.0 x 3.0	M6	705581			



Legende

- A Innendurchmesser
- B Schaft-Durchmesser
- C Gesamtlänge
- E Bandbreite / -stärke
- G Schraubengröße

Werkstoffe

1.4301

weitere Werkstoffe auf Anfrage

Oberflächenbeschaffenheit

elektropoliert

Key

- internal diameter
- shank diameter
- total length
- strip width / -strength
- bolt size

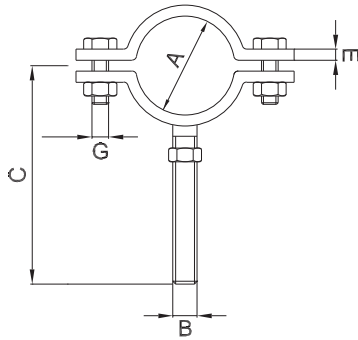
Materials

304

further materials on request

Surface condition

electropolished



weitere Abmessungen auf Anfrage | further dimensions on request

DIN	Abmessung dimension	A	B	C	E	G	1.4301 304			
DN010	12.0 x 1.0	12.0	M8	74.0	20.0 x 3.0	M6	701565			
DN010	13.0 x 1.5	12.0	M8	74.0	20.0 x 3.0	M6	701565			
DN015	19.0 x 1.5	18.0	M8	77.0	20.0 x 3.0	M6	701566			
DN020	23.0 x 1.5	22.0	M8	79.0	20.0 x 3.0	M6	701620			
DN025	29.0 x 1.5	28.0	M10	102.0	20.0 x 3.0	M6	701621			
DN032	35.0 x 1.5	34.0	M10	105.0	20.0 x 3.0	M6	701622			
DN040	41.0 x 1.5	40.0	M10	108.0	20.0 x 3.0	M6	701623			
DN050	53.0 x 1.5	52.0	M12	114.0	20.0 x 3.0	M6	701624			
DN065	70.0 x 2.0	70.0	M12	123.0	20.0 x 3.0	M6	701625			
DN080	85.0 x 2.0	85.0	M12	130.5	25.0 x 3.0	M6	702508			
DN100	104.0 x 2.0	104.0	M12	140.0	25.0 x 3.0	M6	702509			
DN125	129.0 x 2.0	129.0	M16	168.5	30.0 x 3.0	M8	701628			
DN150	154.0 x 2.0	154.0	M16	202.0	30.0 x 3.0	M8	701629			

ISO	Abmessung dimension	A	B	C	E	G	1.4301 304			
DN008	13.5 x 1.6	12.0	M8	74.0	20.0 x 3.0	M6	705529			
DN010	17.2 x 1.6	18.0	M8	74.0	20.0 x 3.0	M6	705530			
DN015	21.3 x 1.6	22.0	M8	79.0	20.0 x 3.0	M6	705531			
DN020	26.9 x 1.6	28.0	M10	102.0	25.0 x 3.0	M6	705532			
DN025	33.7 x 2.0	33.7	M10	104.5	25.0 x 3.0	M6	705533			
DN032	42.4 x 2.0	42.4	M10	109.0	25.0 x 3.0	M6	705534			
DN040	48.3 x 2.0	48.3	M10	112.0	25.0 x 3.0	M6	705535			
DN050	60.3 x 2.0	60.3	M12	118.0	25.0 x 3.0	M6	705536			
DN065	76.1 x 2.0	76.1	M12	125.5	25.0 x 3.0	M6	705537			
DN080	88.9 x 2.3	88.9	M12	132.0	25.0 x 3.0	M6	705538			
DN100	114.3 x 2.3	114.3	M12	145.0	25.0 x 3.0	M6	705539			
DN125	139.7 x 2.6	139.7	M16	169.5	30.0 x 3.0	M8	705540			
DN150	168.3 x 2.6	168.3	M16	184.0	40.0 x 4.0	M8	704385			

ASME BPE	Abmessung dimension	A	B	C	E	G	1.4301 304			
DN 1/2"	12.7 x 1.65	12.0	M8	94.0	20.0 x 2.0	M6	705541			
DN 3/4"	19.05 x 1.65	18.0	M8	97.0	20.0 x 2.0	M6	705542			
DN 1"	25.4 x 1.65	25.4	M10	100.5	20.0 x 3.0	M6	705543			
DN 1 1/2"	38.1 x 1.65	38.1	M10	106.5	20.0 x 3.0	M6	705544			
DN 2"	50.8 x 1.65	50.8	M12	113.0	20.0 x 3.0	M6	705545			
DN 2 1/2"	63.5 x 1.65	63.5	M12	119.5	20.0 x 3.0	M6	705546			
DN 3"	76.2 x 1.65	76.2	M12	126.0	25.0 x 3.0	M6	705547			
DN 4"	101.6 x 2.11	101.6	M12	138.5	25.0 x 3.0	M6	705548			